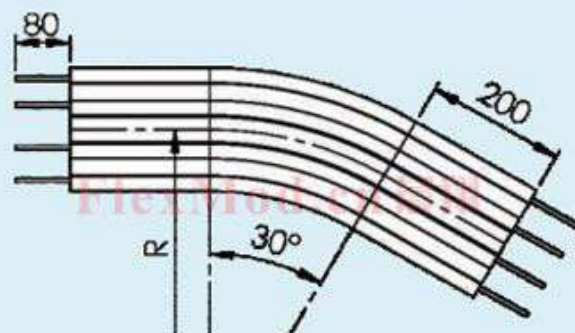


Horizontal plain bend, 30° (水平弯头30°)

Radius to centre of beam:  
(输送梁中心半径)

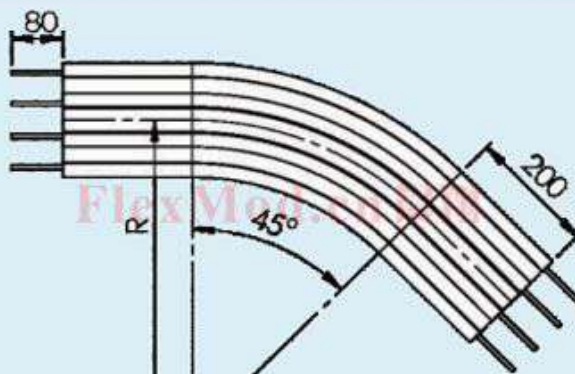
CXBBP 30A295R700 R=700 mm  
CXBBP 30A295R1000 R=1000mm



Horizontal plain bend, 45° (水平弯头45°)

Radius to centre of beam:  
(输送梁中心半径)

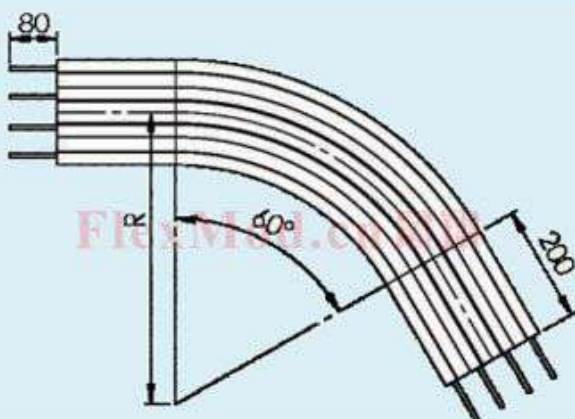
CXBBP 45A295R700 R=700 mm  
CXBBP 45A295R1000 R=1000mm



Horizontal plain bend, 60° (水平弯头60°)

Radius to centre of beam:  
(输送梁中心半径)

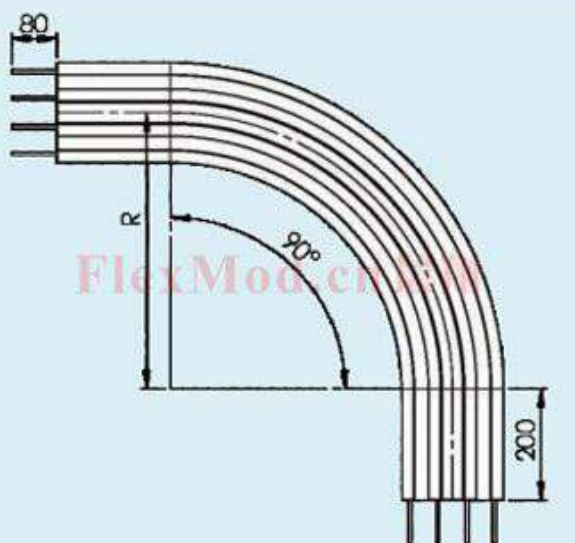
CXBBP 60A295R700 R=700 mm  
CXBBP 60A295R1000 R=1000mm



Horizontal plain bend, 90° (水平弯头90°)

Radius to centre of beam:  
(输送梁中心半径)

CXBBP 90A295R700 R=700 mm  
CXBBP 90A295R1000 R=1000mm



## Horizontal plain bends (水平弯头)

FlexMod®



CXB-295