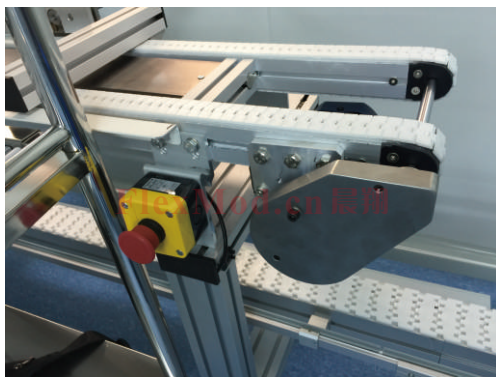




顶升移栽应用案例



双轨输送应用案例



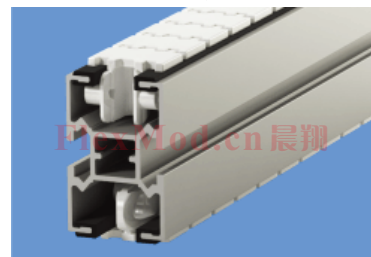
双轨输送应用案例

Contents (目录)	2
Chains (链条)	4
Conveyor beam (输送梁)	5
End drive units (驱动单元)	7
Idler end units (从动单元)	7
Examples of application (应用场合)	8



CXT

Chain width 35 mm (链宽35mm)



Technical characteristics (技术指标)

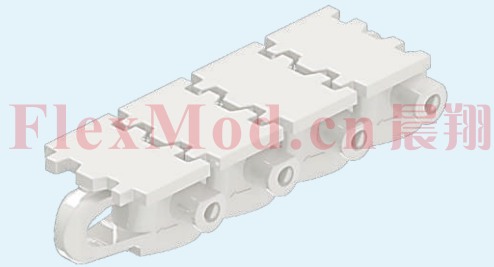
Chain tension limit (链条张力极限)	.....1000 N
Beam width (型材宽度)	.....45 mm
Chain width (链条宽度)	.....35 mm
Chain pitch (链条节距)	.....25.4 mm
Maximum weight on conveyor (线体最大承载)	.....200 kg
Maximum conveyor length (线体最大长度)	.....25 m

Examples of application

Manual and automatic assembly and test systems in the automotive and electrical electronics industries. Examples: gearboxes, computers, sewing machines, mobile phones, automotive seat guiderails, eyeglasses, injection-moulded parts, fishing reels, car instrument kits

应用场合

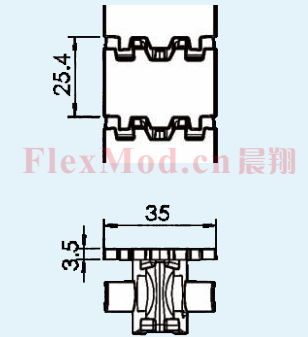
- 用于机械及电子制造行业的自动组装、自动检测。例如齿轮箱、电脑、缝纫机、移动电话、汽车座椅、仪器仪表的组装等。
- 常用于托盘输送系统，实现托盘自动移栽、定位



Plastic chain materials(链板材质)	Performance(特性)	Colour(颜色)
POM	Standard material/标准材料	white/白色
POML	Ultra low wear/超润滑	white/白色
POMA	Abrasion resistance/超耐磨	white/白色
POMC	Chemical resistance/抗腐蚀	yellow/黄色
POME	Conductive material/防静电	black/黑色
POMK	High temperature resistance/耐高温	yellow/黄色
POMF	Food application/用于食品	white/白色
POMN	Low noise/低噪音	white/白色

*Plain chain(平板链)*

CXTTP 5 Plain chain(平板链)  
Length 5 mt(长度5m)

*Tools and accessories(工具和附件)*

CXTTT 11X17 Plastic pivot(塑料珠)

CXTTD 4.5X30 Steel pin(钢销)



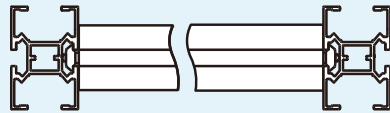
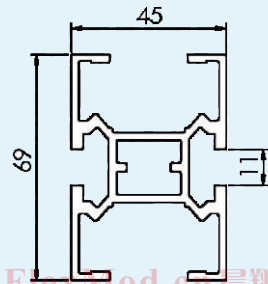
## Conveyor beam (输送梁)

FlexMod®

Beam(输送梁)

CXTCB 3

Length 3 mt (长度3m)



Slide rail (耐磨条)

Length 25 mt (长度25m)

CXTCR 25

Polyethylene(聚乙烯)

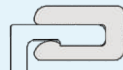
CXTCR 25U

PE-UHMW(高分子量聚乙烯)

CXTCR 25H

HDPE+PA6 Gray(尼龙)

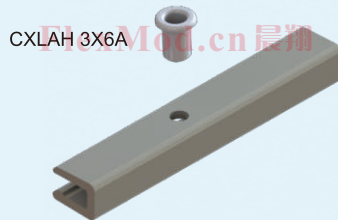
CXTCR 25H



CXLAH 3X6A

Aluminium rivet  
(铝铆钉)

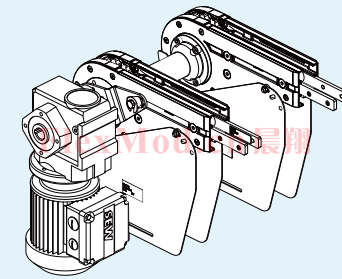
CXLAH 3X6A



CXT-4

## End drive units (驱动单元)

FlexMod®



CXTEB DD

End drive units,configured item  
Fixed speed:5-10-20m/min  
Pallet width 240,320,  
400,480,640 mm

CXTEB O HMNPD210

End drive units,without motor  
Pallet width 240 mm

CXTEB O HMNPD290

End drive units,without motor  
Pallet width 320 mm

CXTEB O HMNPD370

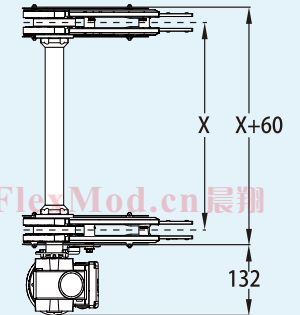
End drive units,without motor  
Pallet width 400 mm

CXTEB O HMNPD450

End drive units,without motor  
Pallet width 480 mm

CXTEB O HMNPD610

End drive units,without motor  
Pallet width 640 mm



www.flexmod.cn

CXT-5

CXT

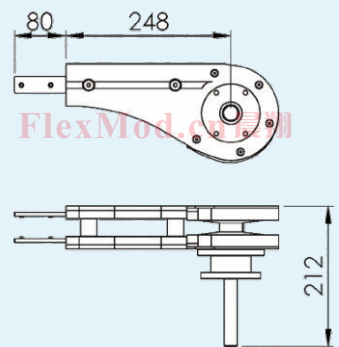
## End drive units (驱动单元)

FlexMod®



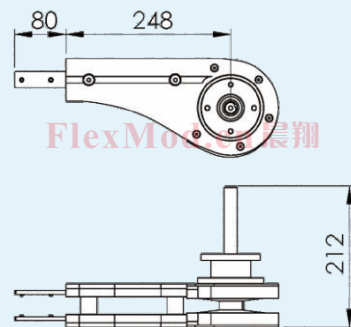
CXTEB 0HLGUA  
Dia. 25mm to 20mm

Drive unit (驱动单元)  
Direct drive (直接驱动)  
left-hand side (左出轴)  
SEW SA37  
SEW WA30  
SEW WA 20



CXTEB 0HLGUA  
Dia. 25mm to 20mm

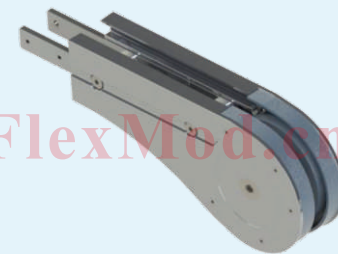
Drive unit (驱动单元)  
Direct drive (直接驱动)  
right-hand side (右出轴)  
SEW SA37  
SEW WA30  
SEW WA 20



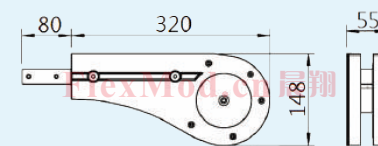
CXT-6

## Idler end units (从动单元)

FlexMod®



CXTEJ 320 Idler end unit (从动单元)



www.flexmod.cn

CXT-7

CXT