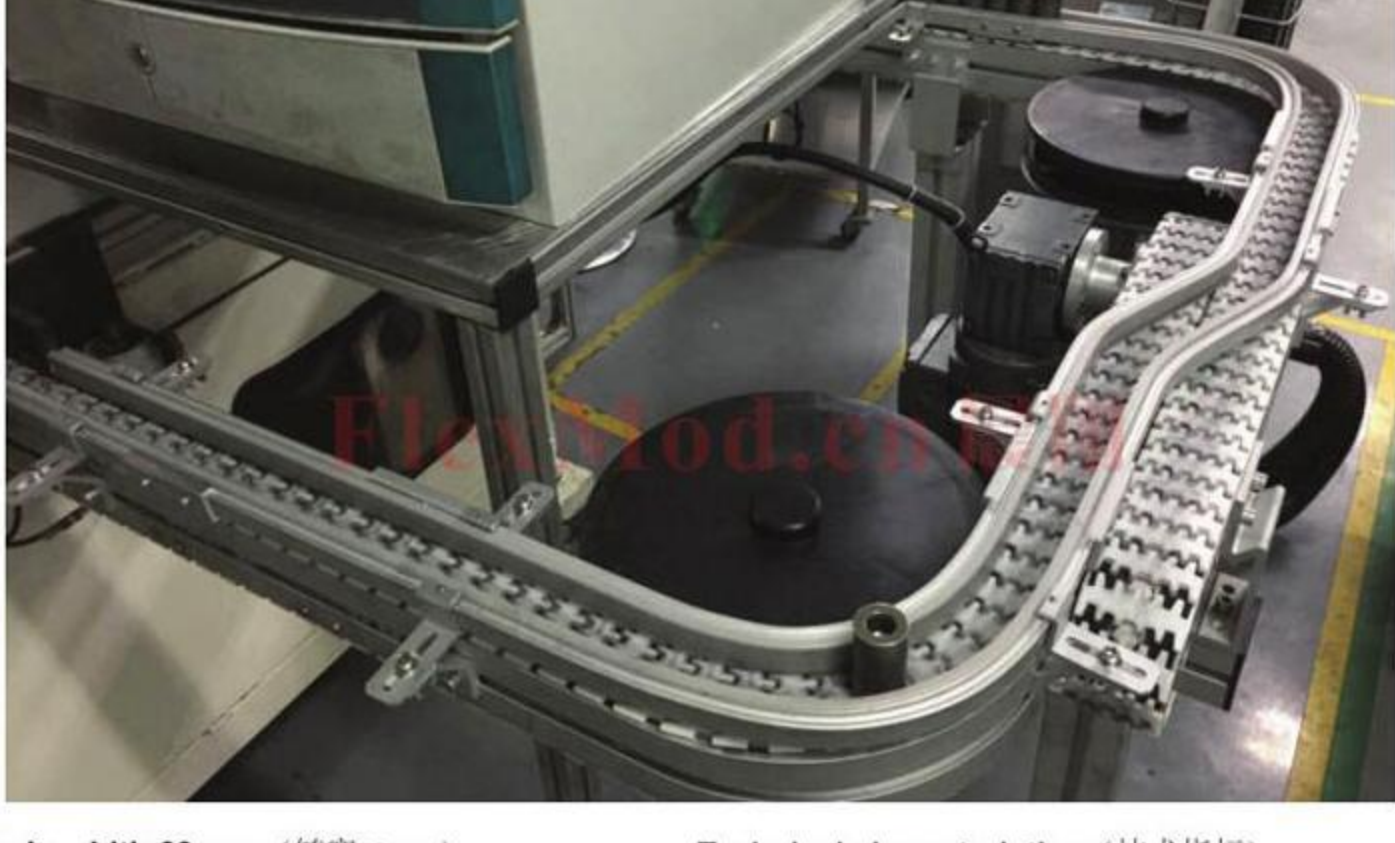


Contents (目录)		Angle plates (角撑板)	27
Chains (链条)	2	Front piece (前挡板)	29
Conveyor beam (输送梁)	6	Examples of application (应用场合)	32
End drive units (驱动单元)	10		
Idler units (从动单元)	17		
Horizontal wheel bends (水平轮弯头)	19		
Horizontal plain bends (水平弯头)	22		
Vertical bends (垂直弯头)	24		



CXL

Chain width 63 mm (链宽63mm)



Technical characteristics (技术指标)

Chain tension limit (链条张力极限)	1000 N
Beam width (型材宽度)	65 mm
Chain width (链条宽度)	63 mm
Chain pitch (链条节距)	25.4 mm
Item width (输送物品宽度)	15-140 mm
Maximum item weight (输送物品重量)	10 kg
Horizontal transport (水平传送)	2 kg
Maximum weight on conveyor (线体最大承载)	150 kg
Maximum conveyor length (线体最大长度)	40 m
Vertical wedge conveyor applications (夹持应用场合)	40-300 mm
Item width (输送物品宽度)	8 m
Maximum conveyor length (输送物品重量)	1 kg

Examples of application

Tissue paper, gear wheels, aerosol cans, medium size ball bearings, piston parts, yoghurt, fuel injectors, dry batteries, plastic bottles, matches, cheese boxes, coffee and tea packages.

应用场合

齿轮、轴承、活塞杆、塑料瓶、喷雾罐、低压开关、仪器仪表、纸巾、包装食品、酸奶咖啡、茶包等。

Chains (链条)

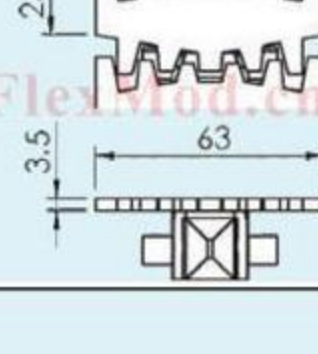


Plastic chain materials(链板材质)	Performance(特性)	Colour(颜色)
POM	Standard material/标准材料	white/白色
POML	Ultra low wear/超润滑	white/白色
POMA	Abrasion resistance/超耐磨	white/白色
POMC	Chemical resistance/抗腐蚀	yellow/黄色
POME	Conductive material/抗静电	black/黑色
POMK	High temperature resistance/耐高温	yellow/黄色
POMF	Food application/用于食品	white/白色
POMN	Low noise/低噪音	white/白色

Chains (链条)

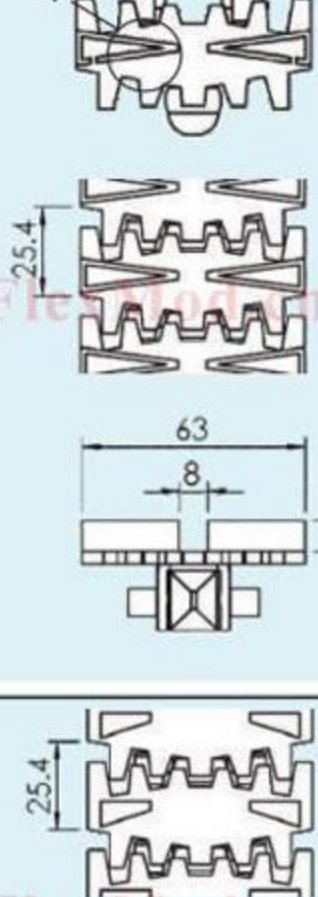
Plain chain (平板链)

CXLTP 5	Plain chain (平板链) Length 5 mt (长度5m)
CXLTL 63	Plain link (平板链节)



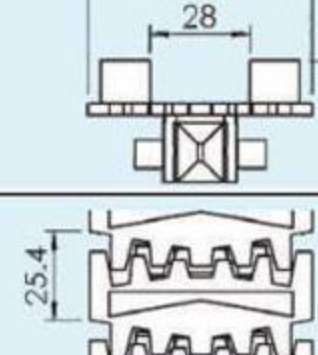
Cleated chain (楔链)

Cleated chain Type A Length 5 mt (长度5m)	
CXLTF 5X4 A...	H=4 mm*
CXLTF 5X5.5 A...	H=5.5 mm*
CXLTF 5X9 A...	H=9 mm
CXLTF 5X12 A...	H=12 mm
CXLTF 5X15 A...	H=15 mm
CXLTF 5X17 A...	H=17 mm
CXLTF 5X30 A...	H=30 mm
Cleated link	
CXLTL 63X4 A	H=4 mm*
CXLTL 63X5.5 A	H=5.5 mm*
CXLTL 63X9 A	H=9 mm
CXLTL 63X12 A	H=12 mm
CXLTL 63X15 A	H=15 mm
CXLTL 63X17 A	H=17 mm
CXLTL 63X30 A	H=30 mm



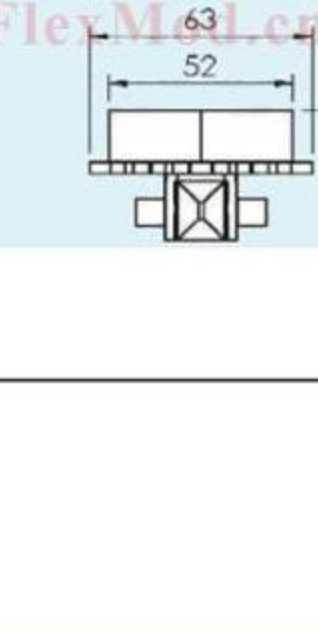
Cleated chain (楔链)

CXLTF 5X12 B...	Cleated chain Type B Length 5 mt (长度5m)
CXLTL 63X12 B	Cleated link (楔链节)



Cleated chain (楔链)

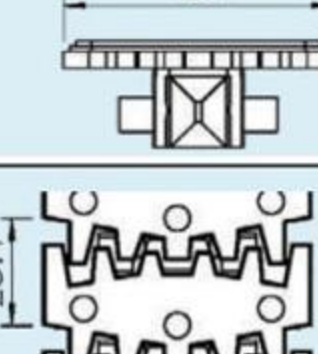
Cleated chain Type C Length 5 mt (长度5m)	
CXLTF 5X12 C...	H=12 mm
CXLTF 5X15 C...	H=15 mm
CXLTF 5X30 C...	H=30 mm
Cleated link (楔链节)	
CXLTL 63X12 C	H=12 mm
CXLTL 63X15 C	H=15 mm
CXLTL 63X30 C	H=30 mm cleats



Chains (链条)

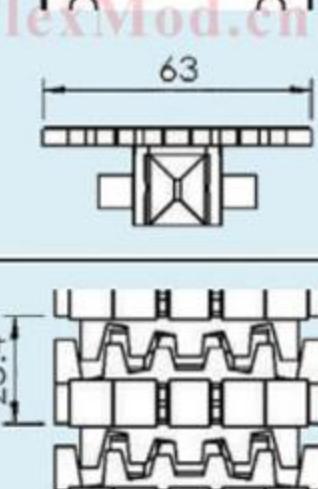
Friction top chain (防滑顶链)

CXLTP 5 F	Friction top chain (防滑顶链) Length 5 mt (长度5m)
CXLTL 63 F	Friction top link (防滑顶链节)



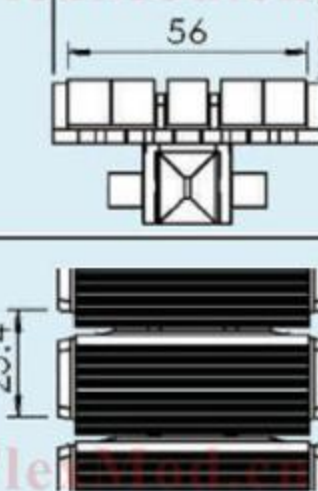
Steel top chain (钢顶链)

CXLTP 5 TF	Steel top chain (钢顶链) Length 5 mt (长度5m)
CXLTL 63 TF	Steel top link (钢顶链节)



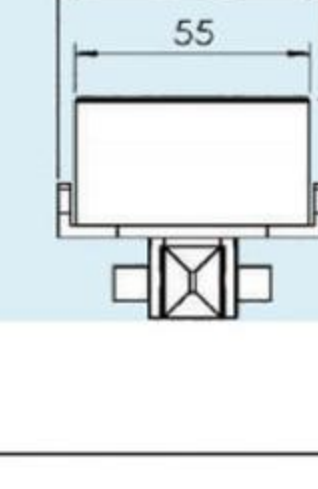
Roller top chain (滚轮顶链)

CXLTR 5	Roller top chain (滚轮顶链) Length 5 mt (长度5m)
CXLTL 63 R	Roller top link (滚轮顶链节)



Flexible cleat chain (弹性楔链)

CXLTE 5 D	Flexible cleat chain Type D, Length 5 mt
CXLTM 63 D	Flexible cleat link assembly Type D (link base and CXLEflexible cleat top) Cleated link
CXLTX 55 D	Flexible cleat top (replacement)

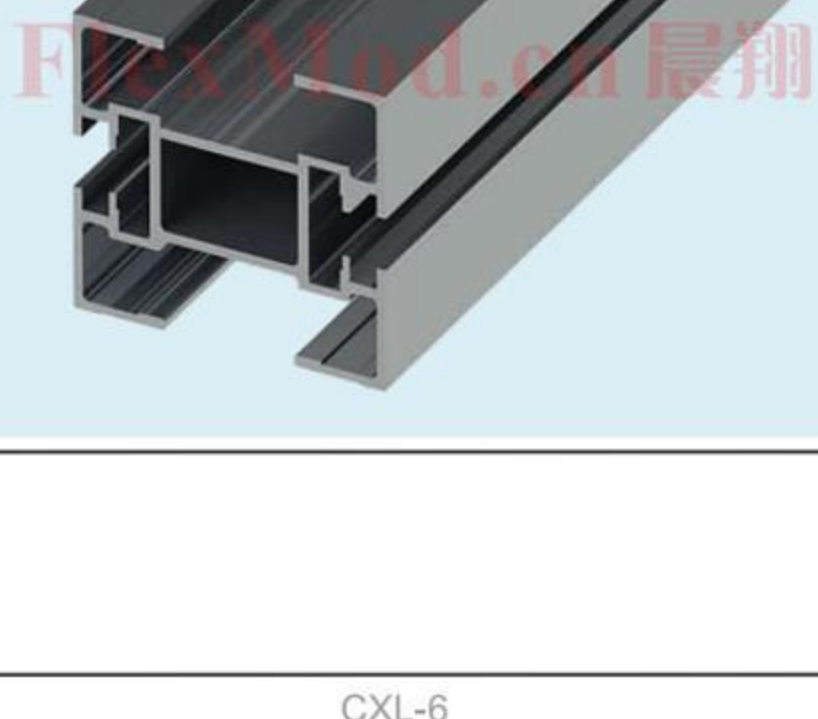


Chains (链条)

CXLTT 9X16	Plastic pivot (塑料珠)
CXLTD 4X36	Steel pin (钢销)
CXLMJ 4	Pin insertion tool (销子拆装工具)

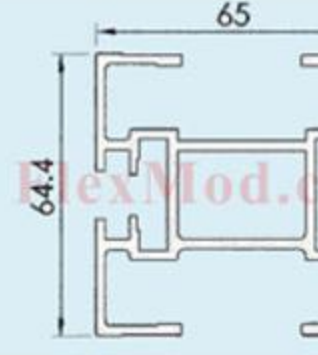


Conveyor beam (输送梁)



Conveyor beam (输送梁)

Beam(输送梁)	Length 3 m(长度3m)
CXLCB 3	



Slide rail (耐磨条)	Length 25 m(长度25m)	CXLCR 25	CXLCR 25H	CXLCR 25U/CXLCR 25P
CXLCR 25	HDPE Black/White (聚乙烯)			
CXLCR 25U	UHMW White(高分子量聚乙烯)			
CXLCR 25P	PVDF White			
CXLCR 25H	HDPE+PA6 Gray			



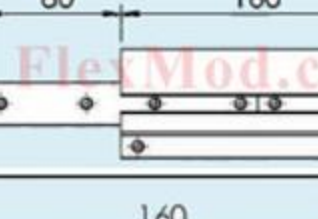
CXLAH 4X6A	Aluminium rivet (铝铆钉)
CXLAH 4X8A	Aluminium rivet (铝铆钉)
CXLAG 5	Plastic screw(塑料铆钉)



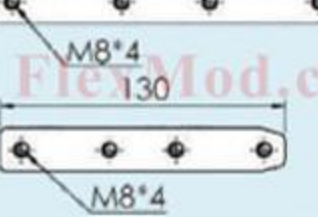
CXLCC 160	Beam section for chain installation including connection strips and screws (链条拆装用活接梁)
-----------	---



Connecting strip with set screws (梁体连接条)	
CXLJC 6X160	Length 160 mm
CXLJC 6X130	Length 130 mm



T-slot cover(防尘胶条)	
CXLAB 50	Length 50 m(长度50m)



CXL