

Chains (链条)

FlexMod®



Plastic chain materials(链板材质)	Performance(特性)	Colour(颜色)
POM	Standard material/标准材料	white/白色
POMI	Ultra low wear/超耐磨	white/白色
POMA	Abrasion resistance/超耐磨	white/白色
POMC	Chemical resistance/抗腐蚀	yellow/黄色
POME	Conductive material/抗静电	black/黑色
POMF	High temperature resistance/耐高温	yellow/黄色
POMF	Food application/用于食品	white/白色

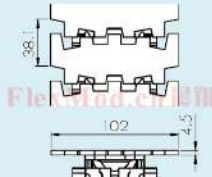
Chains (链条)

FlexMod®

Plain chain (平板链)

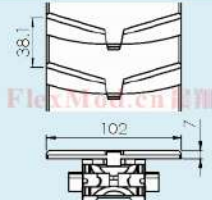
CXKTP 5 Plain chain (平板链)
Length 5 mt(长度5m)

CXKTL 102 Plain link (平板链节)



CXKTP 5 A Closed top chain
Length 5 mt(长度5m)

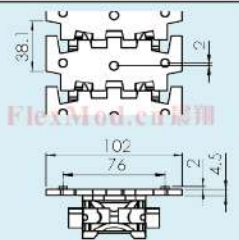
CXKTL 102 Closed link



Universal chain (通用链)

CXKTF 5 U... Plain chain (平板链)
Length 5 mt(长度5m)

CXKTL 102 U Plain link (平板链节)



The link has a hole for an M6 screw.
M6 nut will fit inside the link.

Cleated chain (楔链)

Type A
Length 5 mt(长度5m)

CXKTF 5X15 A... H=15 mm

CXKTF 5X20 A... H=20 mm

CXKTF 5X30 A... H=30 mm

CXKTF 5X40 A... H=40 mm

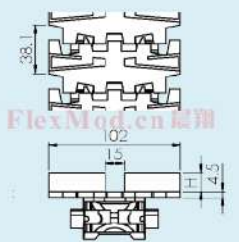
Cleated link(楔链节)

CXKTL 102X15 A H=15 mm

CXKTL 102X20 A H=20 mm

CXKTL 102X30 A H=30 mm

CXKTL 102X40 A H=40 mm



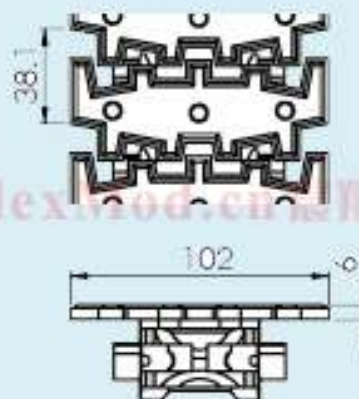
CXK

Chains (链条)

FlexMod®

CXKTP 5 TF Plain chain (平板链)
Length 5 mt (长度5m)

CXKTL 102 TF Plain link (平板链节)



Tools and accessories (工具和附件)

CXKTT 22X24 Plastic pivot (塑料珠)

CXKTD 8X62 Steel pin (钢销)

CXKMJ 8 Pin insertion tool
(销子安装工具)

