

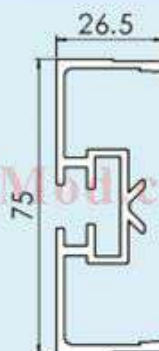


CXH

<p>Beam (输送梁)</p> <p>CXHCB 3      Length 3 m (长度3m)</p>	
<p>Slide rail (耐磨条)</p> <p>Length 25 m (长度25m)</p> <p>CXLCR25      HDPE Black/White (聚乙烯)</p> <p>CXLCR25U    UHMW White (高分子量聚乙烯)</p> <p>CXLCR 25P    PVDF White (聚偏氟乙烯)</p> <p>CXLCR 25H    HDPE+PA6 Gray (尼龙)</p> <p>CXLAH 4X6A   Aluminium rivet (铝铆钉)</p> <p>CXLAH 4X8A   Aluminium rivet (铝铆钉)</p> <p>CXLAG 5      Plastic screw (塑料铆钉)</p>	<p>CXLCR 25   CXLCR 25H   CXLCR 25U/CXLCR 25P</p>
<p>CXHCC 160      Beam section for chain installation, including connection strips and screws (活接梁用于链条拆装)</p>	
<p>Connecting strip with set screws (梁体连接条)</p> <p>CXLCJ 6X160    Length 160 mm</p> <p>CXLCJ 6X130    Length 130 mm</p>	
<p>T-slot cover (防尘胶条)</p> <p>CXLAB 50      Length 50 m (长度50m)</p>	
<p>CX3920500      Drill fixture for slide rail (耐磨条安装工具)</p> <p>CXHMR 200      Mounting tool (铆钉安装工具)</p>	<p>CXHMR 200   CX3920500</p>

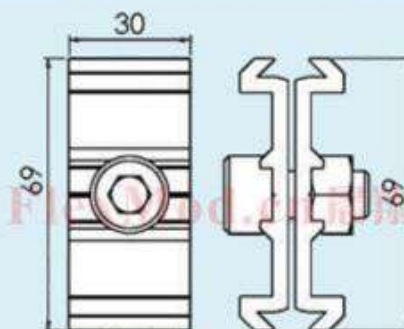
Half beam(半梁)

CXHCB 3H Length 3 mt (长度3m)



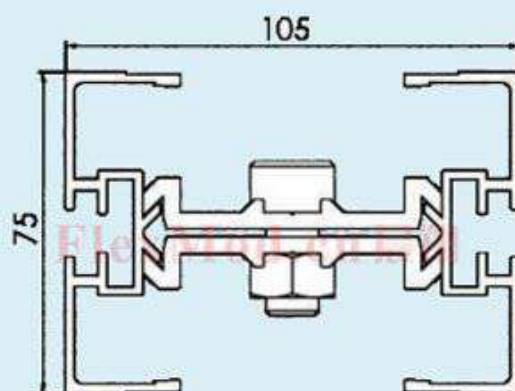
Mounting Clip(半梁夹)

CXHCE 69X30



Split Conveyor beam assembled  
(组合式输送梁)

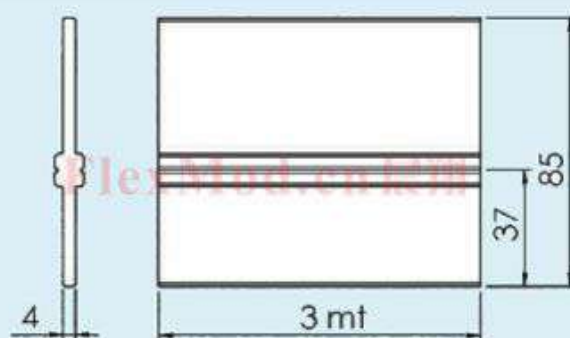
Length 3mt (长度3m)



CXH

Beam spacer(型材隔条)

CXLCD 3 Aluminium, anodized  
(阳极处理)  
Length 3mt (长度3m)



CXS	H=16.0mm
CXL	H=15.9mm
CXM/CX85/CXH	H=10.5mm
CXK	H=0.5mm

