

Horizontal wheel bends (水平轮弯头)

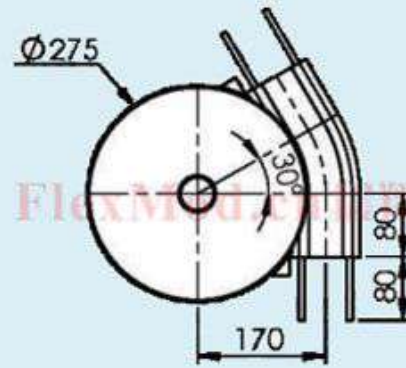
FlexMod®



CXH

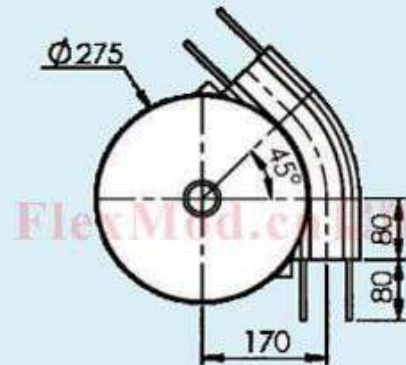
Horizontal wheel bend, 30° (水平轮弯头30°)

CXHBH 30R170 Radius to centre
of chain 170 mm
(链条中心半径170mm)
CXHBH 30R170A with protective cover



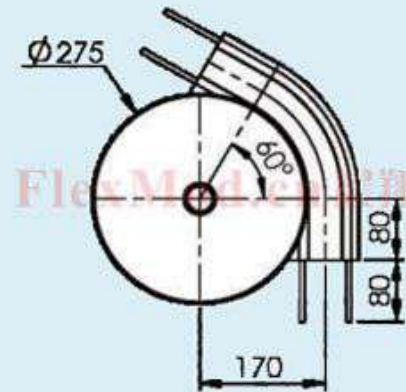
Horizontal wheel bend, 45° (水平轮弯头45°)

CXHBH 45R170 Radius to centre
of chain 170 mm
(链条中心半径170mm)
CXHBH 45R170A with protective cover



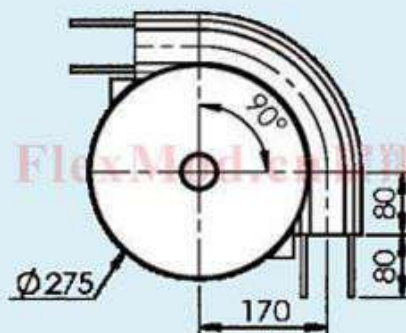
Horizontal wheel bend, 60° (水平轮弯头60°)

CXHBH 60R170 Radius to centre
of chain 170 mm
(链条中心半径170mm)
CXHBH 60R170A with protective cover



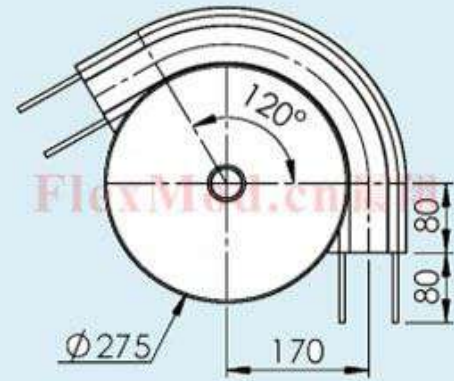
Horizontal wheel bend, 90° (水平轮弯头90°)

CXHBH 90R170 Radius to centre
of chain 170 mm
(链条中心半径170mm)
CXHBH 90R170A with protective cover



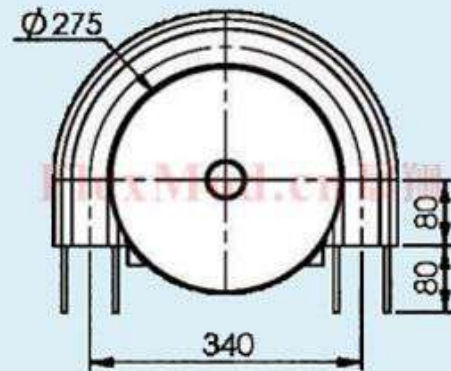
Horizontal wheel bend, 120° (水平轮弯头120°)

- CXHBH 120R170 Radius to centre of chain 170 mm (链条中心半径170mm)
- CXHBH 120R170A with protective cover



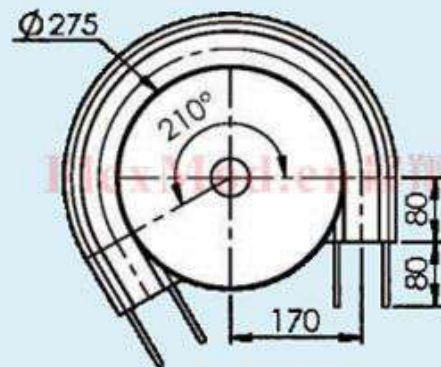
Horizontal wheel bend, 180° (水平轮弯头180°)

- CXHBH 180R170 Radius to centre of chain 170 mm (链条中心半径170mm)
- CXHBH 180R170A with protective cover



Horizontal wheel bend, 210° (水平轮弯头210°)

- CXHBH 210R170 Radius to centre of chain 170 mm (链条中心半径170mm)
- CXHBH 210R170A with protective cover



CXH

Horizontal plain bends (水平弯头)

FlexMod®

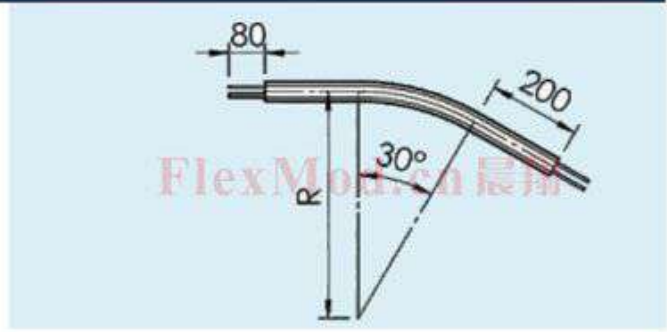


CXH-20

Horizontal plain bend, 30° (水平弯头30°)

Radius to centre of beam:
(输送梁中心半径)

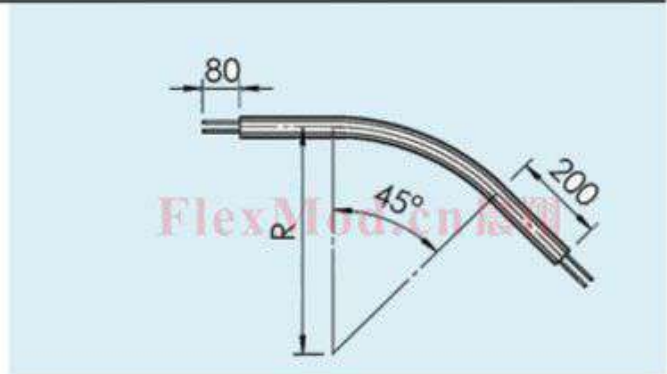
CXHBP 30R500	R=500 mm
CXHBP 30R700	R=700 mm
CXHBP 30R1000	R=1000mm



Horizontal plain bend, 45° (水平弯头45°)

Radius to centre of beam:
(输送梁中心半径)

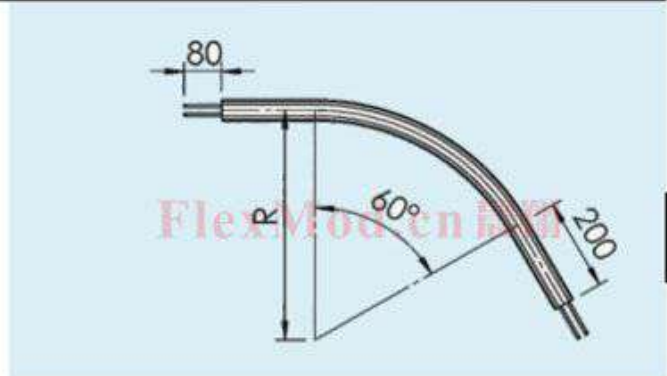
CXHBP 45R500	R=500 mm
CXHBP 45R700	R=700 mm
CXHBP 45R1000	R=1000mm



Horizontal plain bend, 60° (水平弯头60°)

Radius to centre of beam:
(输送梁中心半径)

CXHBP 60R500	R=500 mm
CXHBP 60R700	R=700 mm
CXHBP 60R1000	R=1000mm

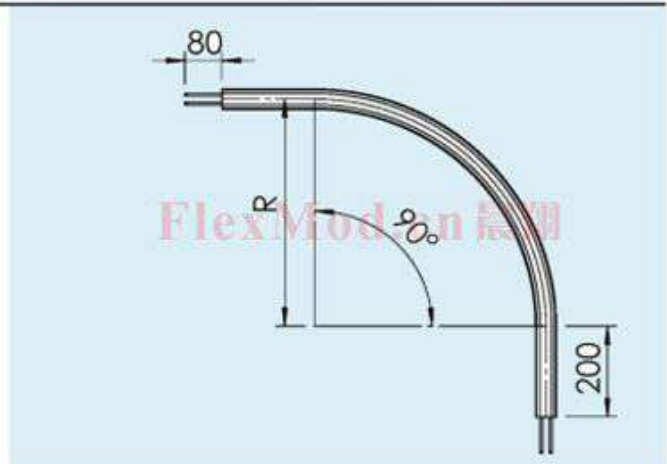


CXH

Horizontal plain bend, 90° (水平弯头90°)

Radius to centre of beam:
(输送梁中心半径)

CXHBP 90R500	R=500 mm
CXHBP 90R700	R=700 mm
CXHBP 90R1000	R=1000mm



Support rail for plain bends

CX5048598	Length 2.4mt
-----------	--------------

