

Conveyor beam (输送梁)

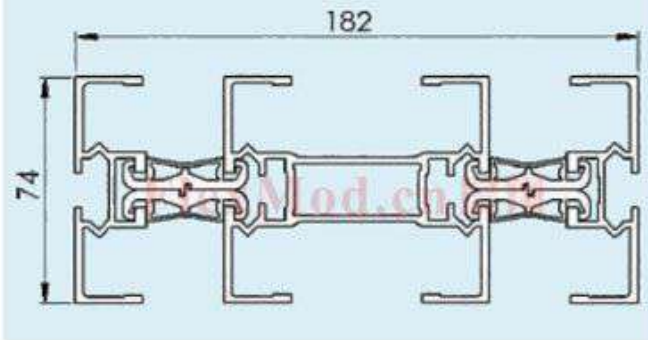
FlexMod®



CXB-175-4

Beam (输送梁)

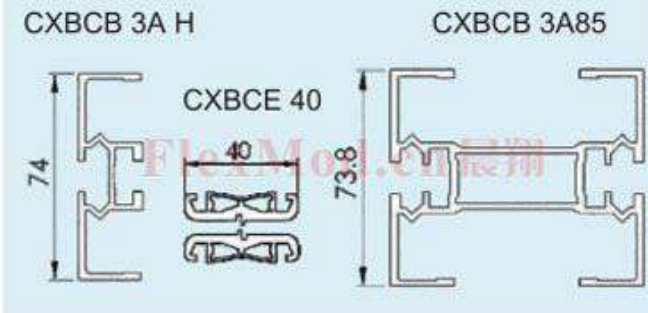
CXBCB 3A175 Length 3 mt (长度3m)



CXBCB 3A85 Length 3 mt (长度3m)

CXBCB 3A H Length 3 mt (长度3m)

CXBCE 40 Snap-fit clip kit for outer beam



Slide rail (耐磨条) Length 25 m (长度25m)

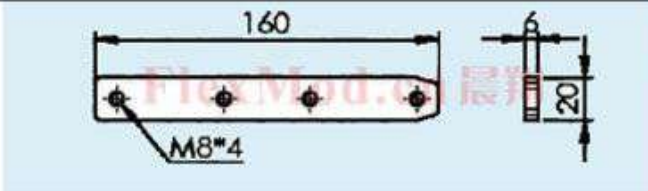
CXBCR 3 HDPE Gray-black  
CXBCR 25 HDPE Black/White (聚乙烯)  
CXBCR 25P PVDF White (聚偏氟乙烯)

CXLAH 4X8A Aluminium rivet (铝铆钉)  
CXLAG 5 Plastic screw (塑料铆钉)



Connecting strip with set screws (梁体连接条)

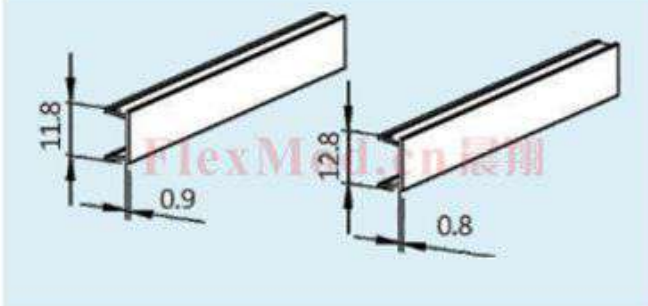
CXSCJ 6X160 H=20 mm  
Length 160 mm



T-slot cover (防尘胶条)

CXCAC 2 Aluminium Length 2 mt

CXCAC 3P Polyvinyl chloride Length 3 mt (长度3m)



CX3920500 Drill fixture for slide rail (耐磨条安装工具)

