

## Horizontal plain bends (水平弯头)

FlexMod®

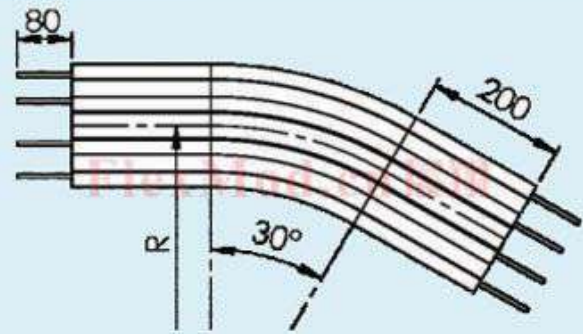


CXB-175

Horizontal plain bend, 30°(水平弯头30°)

Radius to centre of beam:  
(输送梁中心半径)

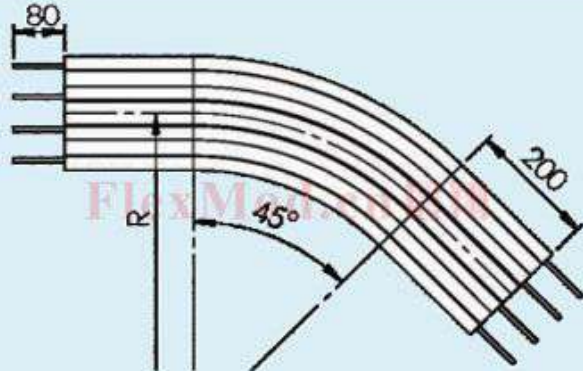
CXBBP 30A175R500	R=500 mm
CXBBP 30A175R700	R=700 mm
CXBBP 30A175R1000	R=1000mm



Horizontal plain bend, 45°(水平弯头45°)

Radius to centre of beam:  
(输送梁中心半径)

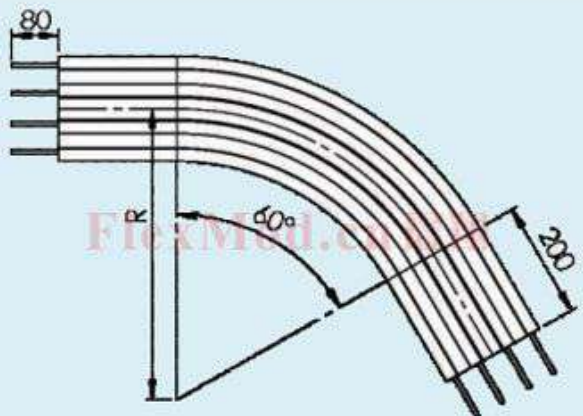
CXBBP 45A175R500	R=500 mm
CXBBP 45A175R700	R=700 mm
CXBBP 45A175R1000	R=1000mm



Horizontal plain bend, 60°(水平弯头60°)

Radius to centre of beam:  
(输送梁中心半径)

CXBBP 60A175R500	R=500 mm
CXBBP 60A175R700	R=700 mm
CXBBP 60A175R1000	R=1000mm



Horizontal plain bend, 90°(水平弯头90°)

Radius to centre of beam:  
(输送梁中心半径)

CXBBP 90A175R500	R=500 mm
CXBBP 90A175R700	R=700 mm
CXBBP 90A175R1000	R=1000mm

